

LEVI PLAZA

San Francisco  
California





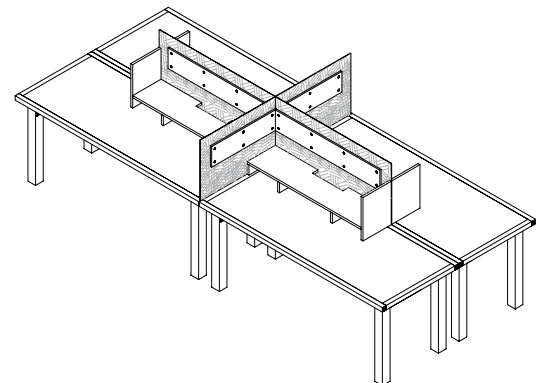
Four person workstation utilizing 1-1/2" MDF, masonite inset tops, steel dividing panels with 1/2" thick felt tacker boards.



Private offices with steel CPU pedestals and 1/2" thick bridges.



Vertical storage for clothing racks and filing.



Anderson Architecture, NY  
1176 Workstations, 94 Private Offices  
5-2010



WOODTECH